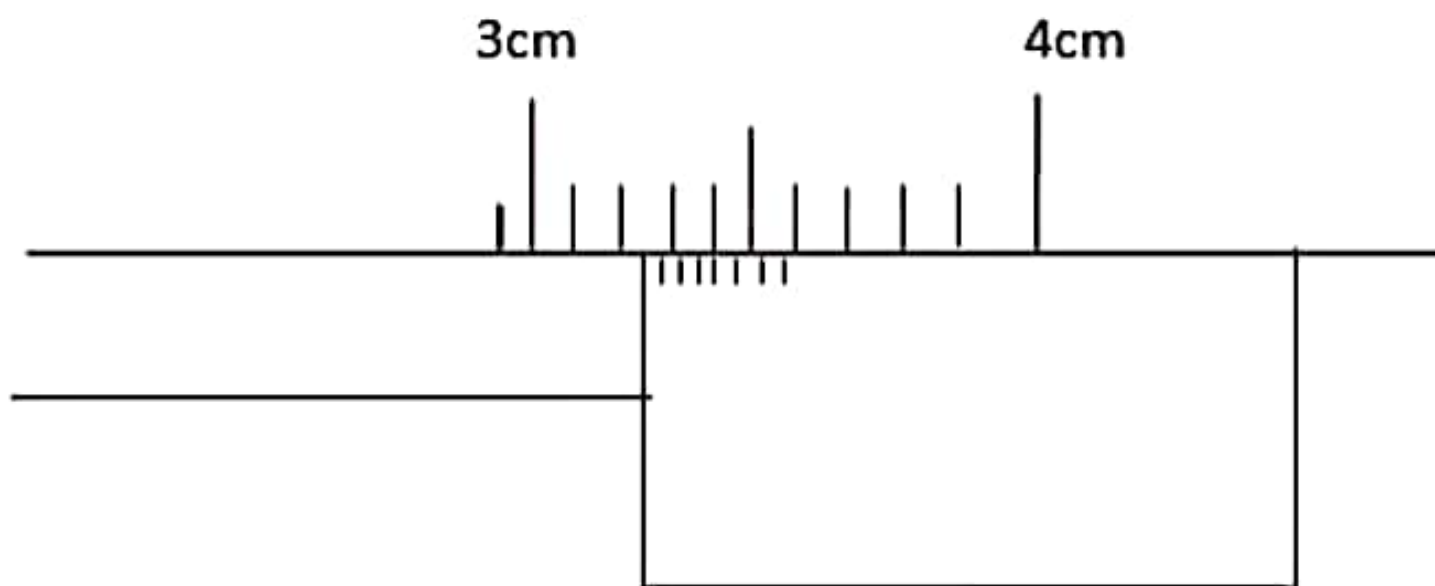
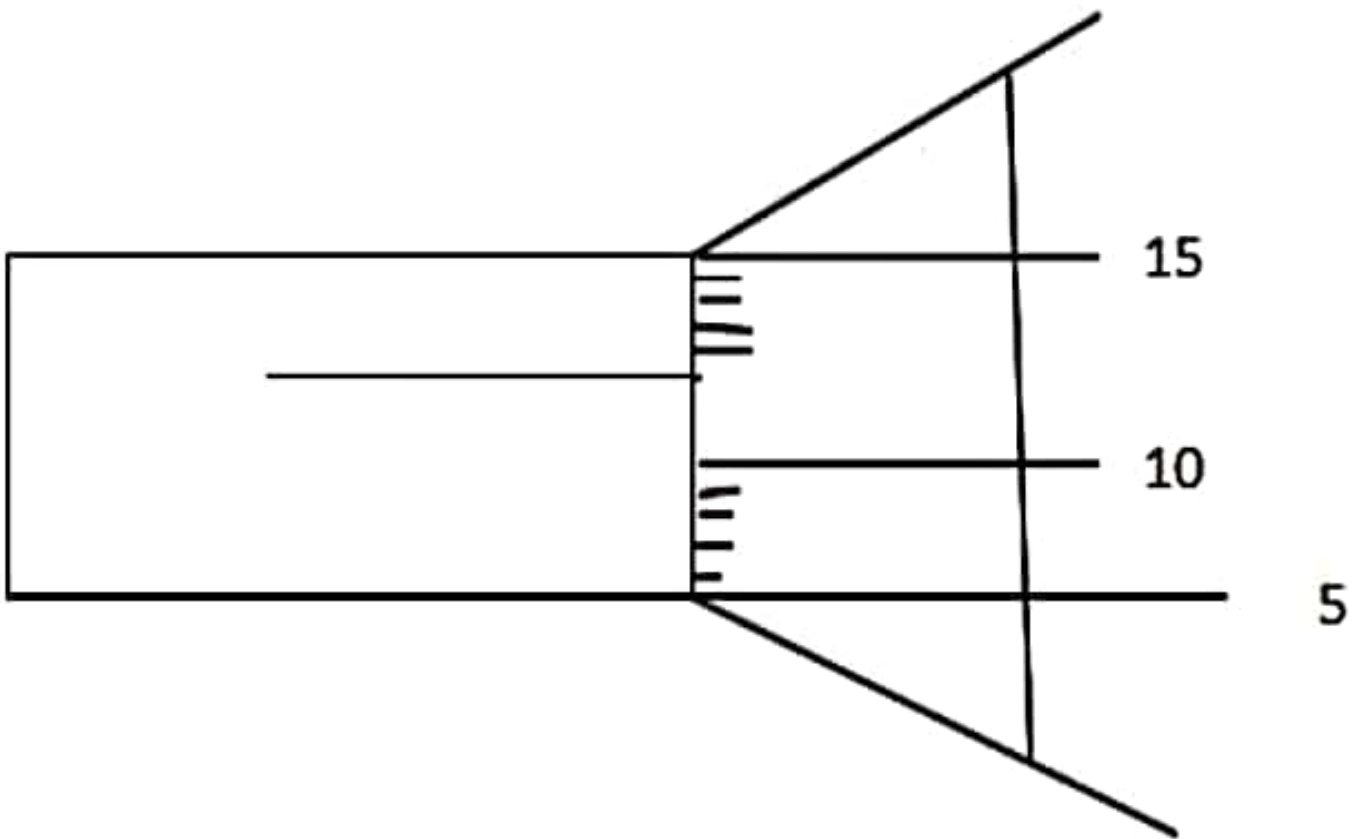


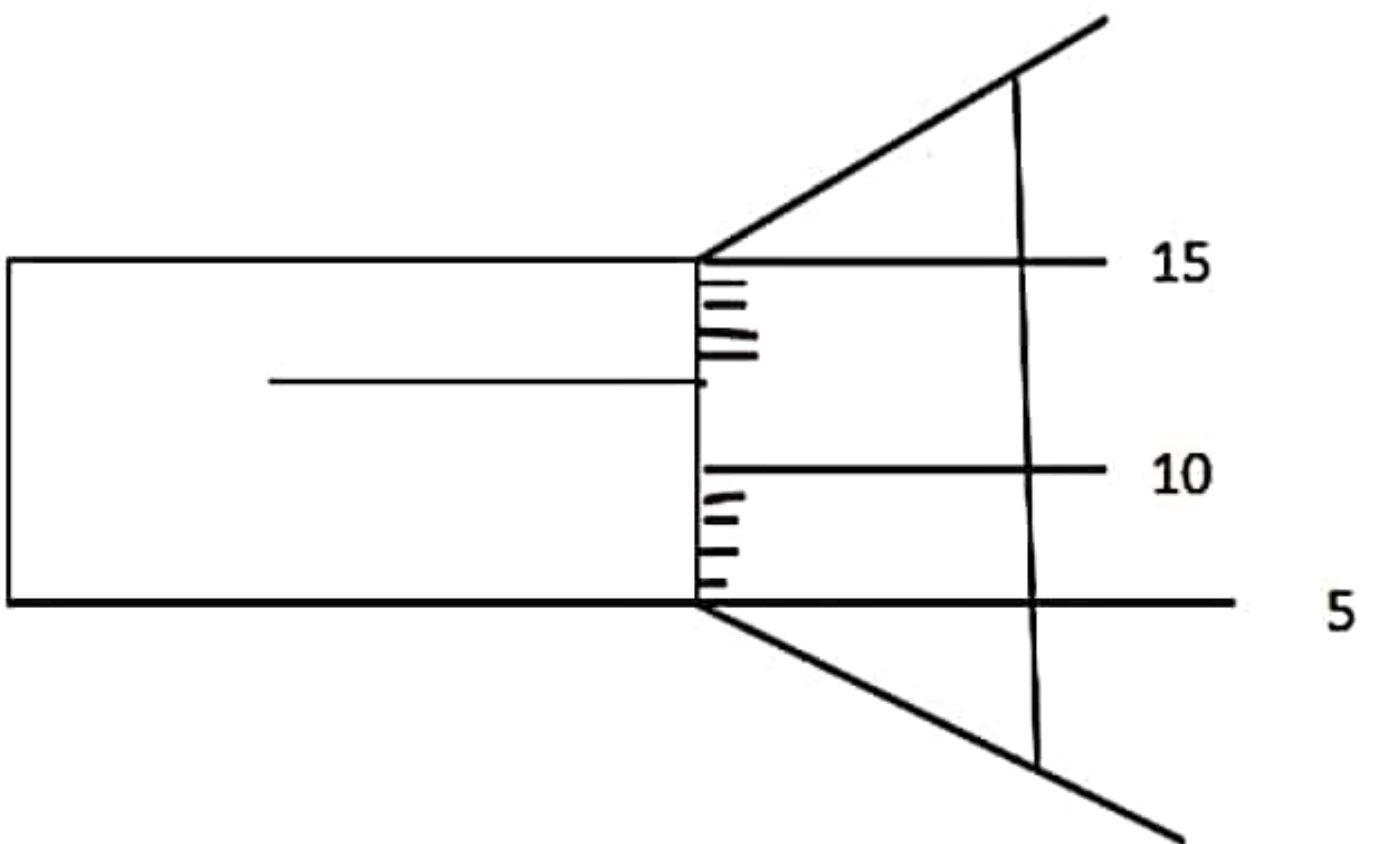
2. Determine the reading of the Vernier caliper shown.



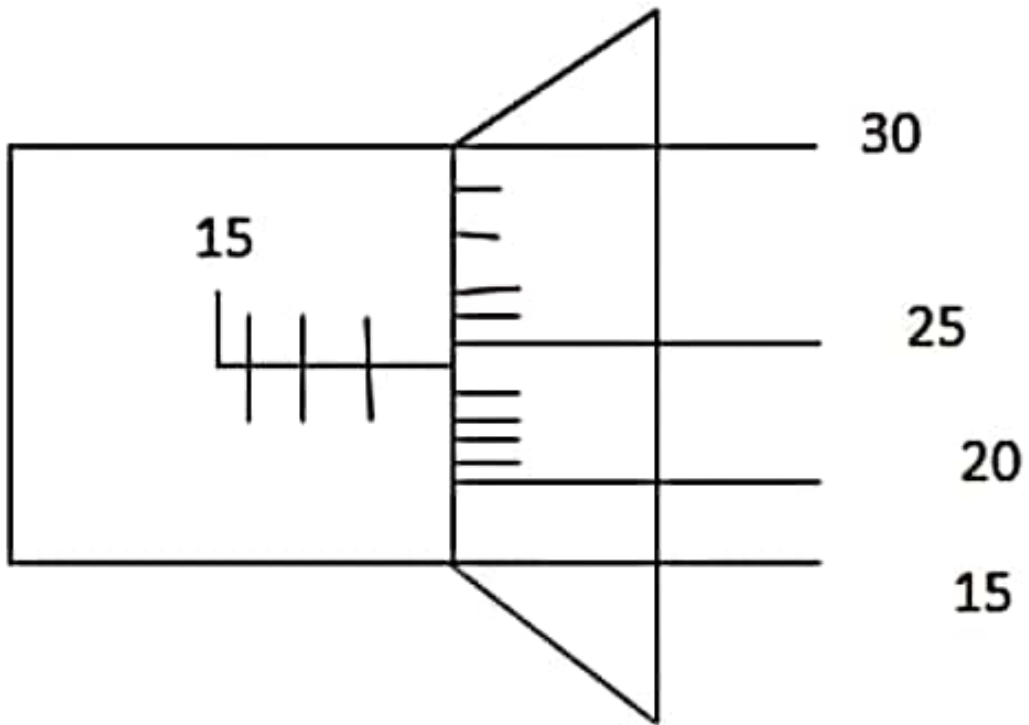
1. What is the reading of the following micrometer screw gauge below?



2. Give the reading of micrometer screw gauge below;



1. Determine the reading of micrometer screw gauge below;




1

1. A block of wood of volume 60cm^3 has a mass of 45g . Find the density of wood.




2. The density of mercury is 13.6g/cm^3 . Find the volume if the mass of mercury is 204 gram.



1. A Clean beaker has a mass of 100g. A volume of 100cm³ of liquid is poured into the beaker with the help of a pipette. The mass of beaker and its contents is 140g. Calculate the density of liquid.

E

A clean beaker has a mass of 500g. A volume of 25cm³ of liquid is poured into the beaker with the help of pipette. The mass of beaker and its contents is 600g. Calculate the density of liquid.



1. The iron metal has a density of 2700kg/m^3 . Find its relative density if the density of water is 1000kg/m^3 .

$$\text{RD} = 1.44$$

3. An object has a mass of 50g and a volume of 20cm³. Find the relative density of object

—

1. A relative density bottle has a mass of 29.2g when dry and empty. Its mass is 116.2 g when full of liquid (diesel) and when full of water its mass is 129.2g. Calculate the relative density of diesel.

Data: